

SPECIFICATIONS

COMBINATION STACK WASHER / DRYER – 60Hz MODELS



All within the floor space of a single unit, the large capacity of the 3.1 cu. ft. washer provides ample room for bulky items, while the extra-large, 6.7 cu. ft. dryer allows for loads to be dried effectively - maximizing facility productivity.



MLE22PDAYW
MLG22PDAWW



MLE22PRAYW
MLE22PRAZW
MLG22PRAWW



MLE22PDAZW

DURACORE DRIVE SYSTEM

Designed and tested to run 15,000 cycles.* A watertight, flexible triple-lip seal with a garter spring helps keep moisture away from the shaft, protecting our premium bearings - while our proven, durable shaft sleeve is designed to reduce shaft wear. These components, along with a die-cast trunnion, result in more turns over the life of the washer, helping to boost your bottom line.



INTELLIGENT CONTROLS WITH M-SERIES TECHNOLOGY

Intelligent Controls with M-Series Technology help owners increase profitability. These enhanced controls allow customized setup—each cycle and option can be priced individually or programmed for time-of-day pricing, maximizing revenue.



ADVANCED SPIN TECHNOLOGY

Featuring a 6-point suspension system, accelerometer, Progressive Spin Logic, and an optimized pump routine, Advanced Spin Technology helps deliver accurate cycle times and optimal performance for all load types.



TURBOVENT® DRYER TECHNOLOGY

An extra blower wheel optimizes performance in long vents, while high airflow reduces drying times for a wide variety of loads, increasing efficiency and turns over the life of the machine.



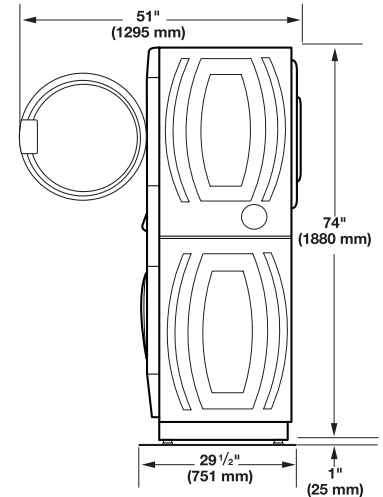
*Based on 11-lb. load, 34 min. timed cycle, Heavy Soil

SPECIFICATIONS

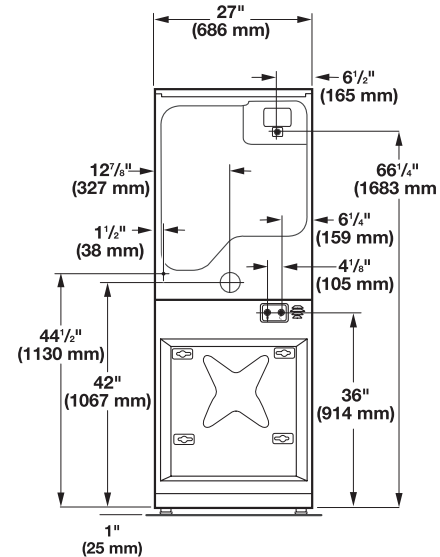
COMBINATION STACK WASHER / DRYER – 60Hz MODELS



MODEL – COIN READY/ CARD READY & NON-VEND	MLE22PDAYW/ MLE22PRAYW	MLG22PDAWW/ MLG22PRAWW	MLE22PDAZW/ MLE22PRAZW
Fuel Type	U.S. / Int'l Electric	U.S. / Int'l Gas	Canada Electric
WASHER SPECIFICATIONS			
CAPACITY			
Cylinder Volume – cu. ft. (liters)	3.10 (88)	3.10 (88)	3.10 (88)
Cylinder Diameter – in. (mm)	21.60 (547)	21.60 (547)	21.60 (547)
Cylinder Depth – in. (mm)	13.40 (340)	13.40 (340)	13.40 (340)
WATER INLET HOSE / DRAIN HOSE			
Operating Pressure – psi (bar)	20 – 100 (1 – 8)	20 – 100 (1 – 8)	20 – 100 (1 – 8)
Inlet Hose Length – ft. (m)	4 (1.22)	4 (1.22)	4 (1.22)
Drain Hose Length – ft. (m)	6 (1.83)	6 (1.83)	6 (1.83)
APPROXIMATE WATER USAGE			
Average Total Water Usage Per Cycle – gallons (liters)*	10.71 (40.50)	10.71 (40.50)	10.71 (40.50)
Average Hot Water Usage, Warm Water Cycle – gallons (liters)	.71 (2.69)	.71 (2.69)	.71 (2.69)
Average Hot Water Usage, Hot Water Cycle – gallons (liters)	2.71 (10.26)	2.71 (10.26)	2.71 (10.26)
ELECTRICAL REQUIREMENTS+			
Voltage	120V	N/A	N/A
Electrical Requirements / Frequency	60Hz	N/A	N/A
Breaker / Fuse – amps	30	N/A	N/A
DIMENSIONS – DOOR OPENING – IN. (MM)			
14.25 (362)	14.25 (362)	14.25 (362)	
EXTRACT SPEED – MAX G-FORCE / MAX RPM			
300 / 1,000	300 / 1,000	300 / 1,000	
MOTOR SIZE – HP (KW)			
.09 (.07)	.09 (.07)	.09 (.07)	
INTEGRATED WATER FACTOR (IWF)*			
3.5	3.5	3.5	
MODIFIED ENERGY FACTOR (MEF₂)*			
2.2	2.2	2.2	
DRYER SPECIFICATIONS			
CAPACITY			
Cylinder Volume – cu. ft. (liters)	6.70 (190)	6.70 (190)	6.70 (190)
Cylinder Diameter – in. (mm)	26.3 (666.8)	26.3 (666.8)	26.3 (666.8)
Cylinder Depth – in. (mm)	20.4 (518.3)	20.4 (518.3)	20.4 (518.3)
ELECTRICAL REQUIREMENTS+			
Voltage	240V	120V	240V
Electrical Requirements / Frequency	60Hz	60Hz	60Hz
Breaker / Fuse – amps	30	15	40
DIMENSIONS – DOOR OPENING – IN. (MM)			
18.25 (464)	18.25 (464)	18.25 (464)	
DRYER EXHAUST DUCT DIAMETER – IN. (MM)**			
4 (100)	4 (100)	4 (100)	
AIRFLOW (CFM)			
215 (6.10)	230 (6.5)	215 (6.10)	
ELECTRIC HEATING ELEMENT (WATTS)			
5,600	N/A	5,250	
GAS RATING – BTU/HR. (KCAL/HR.)			
N/A	24,000 (6,048)	N/A	
GAS INLET SIZE			
N/A	3/8 NPT	N/A	
MOTOR SIZE – HP (KW)			
.33 (.25)	.33 (.25)	.33 (.25)	
MACHINE SPECIFICATIONS			
DIMENSIONS			
Width – in. (mm)	27 (686)	27 (686)	27 (686)
Depth – in. (mm)	29.50 (751)	29.50 (751)	29.50 (751)
Height – in. (mm)	74 (1,880)	74 (1,880)	74 (1,880)
CRATED DIMENSIONS			
Crated Width – in. (mm)	29.25 (743)	29.25 (743)	29.25 (743)
Crated Depth – in. (mm)	34 (864)	34 (864)	34 (864)
Crated Height – in. (mm)	75.75 (1,924)	75.75 (1,924)	75.75 (1,924)
APPROXIMATE WEIGHT			
Uncrated – lbs. (kg)	372 (169)	378 (171)	372 (169)
Crated – lbs. (kg)	383 (173)	389 (176)	383 (173)
MAYTAG CONNECT 360™ TECHNOLOGY COMPATIBLE			
Yes	Yes	Yes	
ADA-COMPLIANT			
Yes	Yes	Yes	



SIDE VIEW



BACK VIEW



See maytagcommerciallaundry.com for complete warranty details.

Dimensions are for planning purposes only. See specific instructions for proper installation. Because of continuous product improvement, Maytag reserves the right to change specifications without notice.

*Based on 2018 United States DOE J2 Testing with factory preset cycles.

**Use 4" (100mm) diameter rigid aluminum or galvanized steel duct. Never use plastic, non-metal, or combustible duct.

+It is recommended that a separate circuit serving only this washer / dryer be provided.