

MLE/MLG27PD

MAYTAG® COMMERCIAL SINGLE-LOAD SUPER-CAPACITY STACK DRYER



LEGENDARY MAYTAG DEPENDABILITY

Maximizing your equipment investment for over a half-century.

TWO POCKETS IN THE SPACE OF ONE

You can potentially double your dryer income and help eliminate waiting with two dryer pockets in the same floor space as one single-load dryer.

FOR YOUR CUSTOMERS:

- Extra-Large 7.4 cu. ft. Capacity
- Easy-To-Use One-Touch Selection
- High Airflow For Better Clothes Care
- Time Remaining Display
- Optional Top-Off
- Larger Window For Convenience

FOR YOUR OPERATION:

- TurboVent™ Technology—Better Performance On Long Vents
- Advanced Computer Trac® Controls Allow For Easy Programming
- Front Access For Easier Self Service
- Accu Trac® Audit System With Two-Way Data Communication
- Large-Capacity Metal Mesh Lint Filter
- Debit Card Compatibility
- Dual Coin-Drop Option

BUILT-TO-LAST™ FEATURES:

- Four Roller Suspension With Permanently Lubricated Bearings
- Blower Guard Reduces Service Calls
- Premium Security Vault
- 5-Year Limited Warranty—All Parts Covered





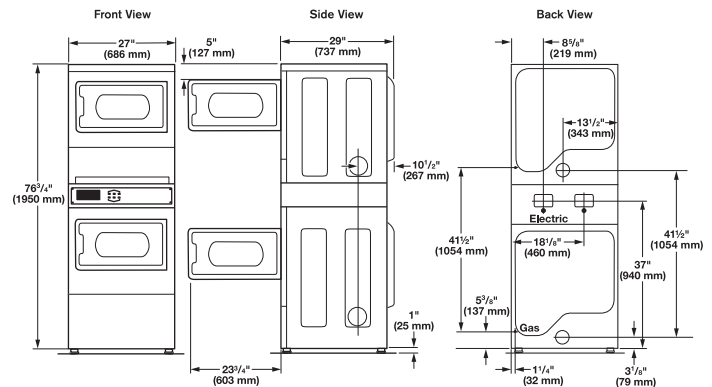
MLE/MLG27PD

MAYTAG® COMMERCIAL
SINGLE-LOAD SUPER-CAPACITY
STACK DRYER

MAYTAG® COMMERCIAL SINGLE-LOAD SUPER-CAPACITY STACK DRYER MICROPROCESSOR COIN-DROP

DRYER SPECIFICATIONS	
MODEL	MLE/MLG27PD
MOTOR	
Single-phase, thermoprotected against overload, auto-reset	▪
HP (kw)	1/3 (.33)
CAPACITY	
Cu. ft. (liters)	7.4 (209.5)
AIRFLOW—cfm (cmm)	
Gas/Electric models—per pocket	230 (6.5)/215 (6.1)
TUMBLE SPEED	
RPM	50 ± 1.5
SOUND LEVEL (export model only)	
Sound pressure level, Lpa (dBA) (Kpa: ± 10dBA)	58
ELECTRICAL REQUIREMENTS	
MLE model—voltage	240V/60Hz*
MLG model—voltage	120V/60Hz
Export models—voltage	220–240V/50 Hz
BREAKER/FUSE REQUIREMENTS—amps	
Electric model—domestic (each drying chamber)	30
Electric model—export (one terminal block per stack)	50
Electric model—Canada (one terminal block per stack)	60
Gas models, all versions—(one power cord per stack)	15
HEATER ELEMENT RATING—watts	
Domestic model—per pocket	5,600
Export models—per pocket	4,600
EXHAUST DUCT DIAMETER	
In. (mm)	4 (101.6)
ELECTRONIC BURNER IGNITION	
MLG models	▪
GAS RATING	
MLG models—BTU/hr. (kcal/hr.)	24,000 (6,048)
MLG export model—BTU/hr. (kcal/hr.)	20,000 (5,040)
GAS INLET	
MLG models—in.	3/8 N.P.T.
AUTOMATIC PRESSURE REGULATOR	
MLG models	▪
ADJUSTABLE LEVELING LEGS	
MLG models	▪
APPROXIMATE WEIGHT	
Crated—lbs. (kg)	294 (133.4)
Uncrated—lbs. (kg)	272 (123.4)
DIMENSIONS	
Width—in. (mm)	27 (686)
Depth—in. (mm)	29 (737)
Height—in. (mm)	76.75 (1,950)

See specific instructions for proper installation. Because of continuous product improvement, Maytag reserves the right to change specifications without notice.
*208-Volt electrical element kit available.



MAXIMUM EXHAUST DUCT LENGTH PER NUMBER OF TURNS

Number Of 90° Turns	Rigid Metal Vent	
	Box Hood and Louvered Style	Angled Hood Style
0	135 ft. (41.2 m)	129 ft. (39.3 m)
1	125 ft. (38.1 m)	119 ft. (36.3 m)
2	115 ft. (35.1 m)	109 ft. (33.2 m)
3	106 ft. (32.3 m)	100 ft. (30.5 m)
4	98 ft. (29.9 m)	92 ft. (28.0 m)



5-YEAR LIMITED WARRANTY ALL PARTS COVERED

For a period from the date of original purchase through the time listed above, the designated parts that fail in normal commercial use will be repaired or replaced free of charge for the part itself, with the owner paying all other costs, including labor, transportation and customs duty. Chemical damage is excluded from all warranty coverage. See complete warranty for details.

OUR COMMITMENT TO DEPENDABLE QUALITY

At Maytag brand, we believe durable goods should remain just that. That's why every Maytag® product is constructed of the highest-quality materials and with the utmost in precision craftsmanship. It's also why we stand behind our equipment with solid service and support from our professional Maytag laundry suppliers. Simply put, when you choose Maytag® products, you ensure your peace of mind.