

# ON-PREMISES PREMIUM SINGLE TUMBLE DRYER

# OPLS™ by WASH

PT055

55lb

PT  
RANGE



## FEATURES

- Easy-to-use digital control
- Electric, gas and steam heating
- Large door opening for easy loading and unloading
- Galvanized cylinder
- Axial airflow
- Large self-cleaning lint screen
- Fits through 36" door opening

## OPTIONS

- Reversing cylinder to avoid tangling of large items
- Stainless steel cylinder
- Stainless steel front panel
- Sensodry+™ over-dry prevention technology lowers energy, utility and linen replacement costs
- SafeTech™ Fire Suppression System, a multi-port water manifold system, will saturate linens in an unlikely event of fire within the cylinder



FAST DRYING



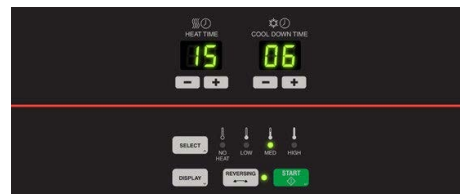
EASY  
OPERATION



SERVICE  
FRIENDLY



XQ Control

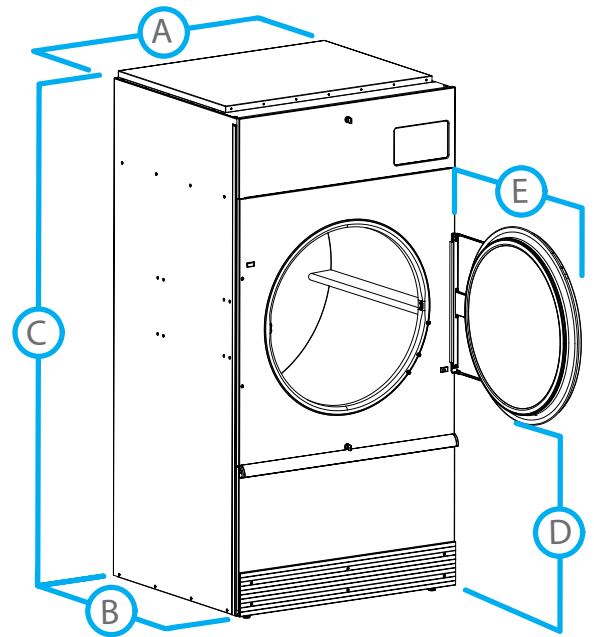


Dual Digital Control

# WASH

800-236-5599 | [www.wash.com/on-premise](http://www.wash.com/on-premise)

MODEL		PT055
CONTROL OPTION		XQ, DDC
CAPACITY - lb (kg)		55 (25)
OVERALL WIDTH - in (mm)		34.5 (876)
OVERALL DEPTH - in (mm)		53.62 (1362)
OVERALL HEIGHT - in (mm)		66.72 (1695)
CYLINDER DIAMETER - in (mm)		33 (838)
CYLINDER VOLUME - cu. ft (liters)		17.3 (490)
DOOR OPENING SIZE - in (mm)		26.88 (683)
ENERGY DATA		Electric Models 27 kW
EXHAUST - in (mm)		8 (203)
GAS CONNECTIONS - in (npt)		0.5
MOTOR - hp		Fan 0.5 Drive 0.5
DRYING AVERAGE - lbs/min		Gas Heating 0.98 Electric Heating 0.88
AIRFLOW - cfm		700
ELECTRIC SPECS - amps		Non Rev (Rev)
GAS & STEAM		100/200-220/60/1 2W+G 9.8 120/208-240/60/1 2W/3W+G 9.2/6.5 200-208/240/60/3 3W+G 4.0/4.0 (4.0/4.5)
ELECTRIC		208/60/1 3W+G 129 240/60/1 3W+G 115 200/60/1 2W+G 122 200-208/60/3 3W+G 79 (79) 240/60/3 3W+G 65 (65)
SHIPPING DIMENSIONS - in (mm)		APPROX. Width 35.5 (902) Depth 59 (1499) Height 72 (1829)
NET WEIGHT - lb (kg)		435 (197)
SHIPPING WEIGHT - lb (kg)		476 (216)
AGENCY APPROVALS		cCSAus



DIMENSIONS		PT055
A.	OVERALL WIDTH - in (mm)	34.5 (876)
B.	OVERALL DEPTH - in (mm)	53.62 (1362)
C.	OVERALL HEIGHT - in (mm)	66.72 (1695)
D.	DOOR BOTTOM TO FLOOR - in (mm)	26.88 (683)
E.	DOOR SWING - in (mm)	31.88 (810)

**WASH**

800-236-5599 | [www.wash.com/on-premise](http://www.wash.com/on-premise)