

ON-PREMISES SOFTMOUNT WASHER EXTRACTOR

OPLS[™]
by **WASH**

PYN30

30lb

PYN
RANGE

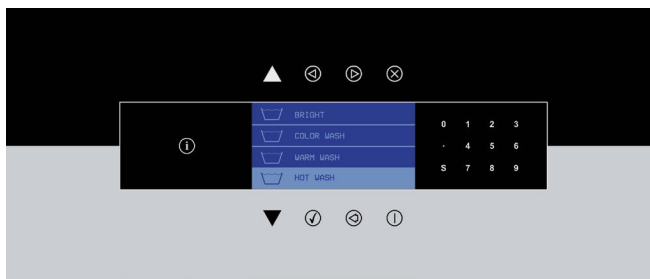


FEATURES

- Freestanding, high spin, 400 G-Force
- Stainless steel top, front, and side panels
- Stainless steel cylinder and tub
- Patented Cascade™ cylinder for better washability
- XControl+ – fully programmable control
- Patented soap hopper
- Large drain valve
- Front access to vital parts for easy maintenance
- Large door opening for easy loading and unloading
- USB plug on the back panel and control board
- Warranty: First three years on all parts; First five years frame and cylinder shaft assembly; First five years on cylinder bearings and bearing seals (parts only)

OPTIONS

- Third water inlet
- Steam heating



ERGONOMICAL
CONSTRUCTION



LARGE DOOR
OPENING



LOW WATER
AND ENERGY
CONSUMPTION



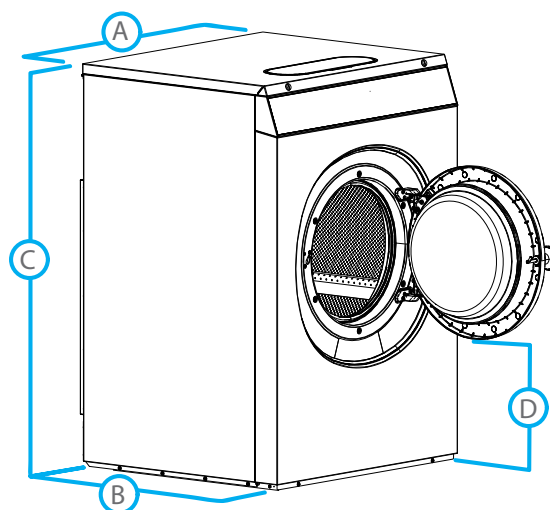
3 YEAR PARTS
WARRANTY

WASH

800-236-5599 | www.wash.com/on-premise

MODEL	PYN30	
CONTROL OPTION	XControl+	
CAPACITY - lb (kg)	30 (14)	
OVERALL WIDTH - in (mm)	31.29 (795)	
OVERALL DEPTH - in (mm)	37.20 (945)	
OVERALL HEIGHT - in (mm)	48.22 (1225)	
CYLINDER DIAMETER - in (mm)	24.4 (620)	
CYLINDER DEPTH - in (mm)	17.72 (450)	
CYLINDER VOLUME - cu. ft (liters)	4.8 (135)	
DOOR OPENING SIZE - in (mm)	16.14 (410)	
DOOR BOTTOM TO FLOOR - in (mm)	13.46 (342)	
WASH SPEED - RPM	49	
EXTRACT SPEED - RPM	1075	
EXTRACT G-FORCE	400	
WATER INLET CONNECTION - in (mm)	2 x 0.75 (19)	
STEAM INLET CONNECTION - in (mm)	0.5 (13)	
DRAIN CONNECTION - in (mm)	3 (76)	
FLOOR TO DRAIN OUTLET CENTER - in (mm)	4.4 (112)	
SIDE TO DRAIN OUTLET CENTER - in (mm)	9.05 (230)	
MOTOR POWER CONSUMPTION - hp (kw)	2.01 (1.50)	
VOLTAGE/CIRCUIT BREAKER - FLA	208-240/60/1	15-10.1
SHIPPING DIMENSIONS APPROX. - in (mm)	Width	32.87 (835)
	Depth	38.78 (985)
	Height	52.95 (1345)
NET WEIGHT - lb (kg)	563 (255)	
SHIPPING WEIGHT - lb (kg)	606 (275)	
AGENCY APPROVALS	cCSAus	

DIMENSIONS	PYN30
A. OVERALL WIDTH - in (mm)	31.29 (795)
B. OVERALL DEPTH - in (mm)	37.20 (945)
C. OVERALL HEIGHT - in (mm)	48.22 (1225)
D. DOOR BOTTOM TO FLOOR - in (mm)	13.46 (342)



WASH

800-236-5599 | www.wash.com/on-premise